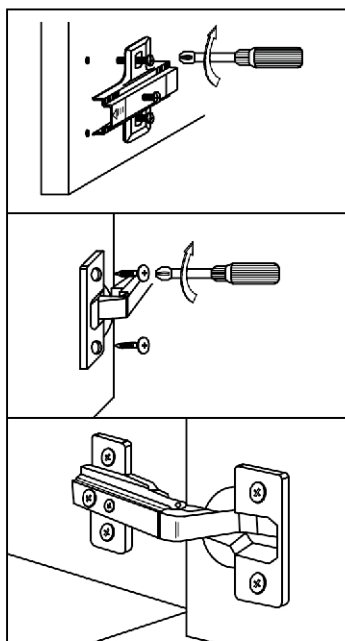
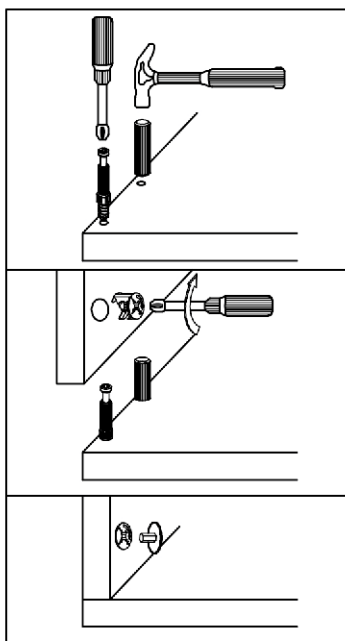
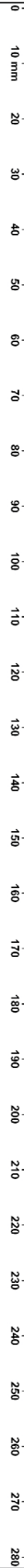
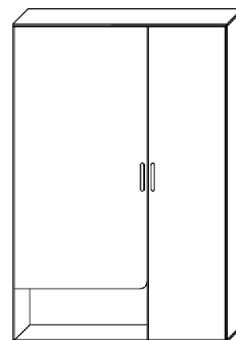
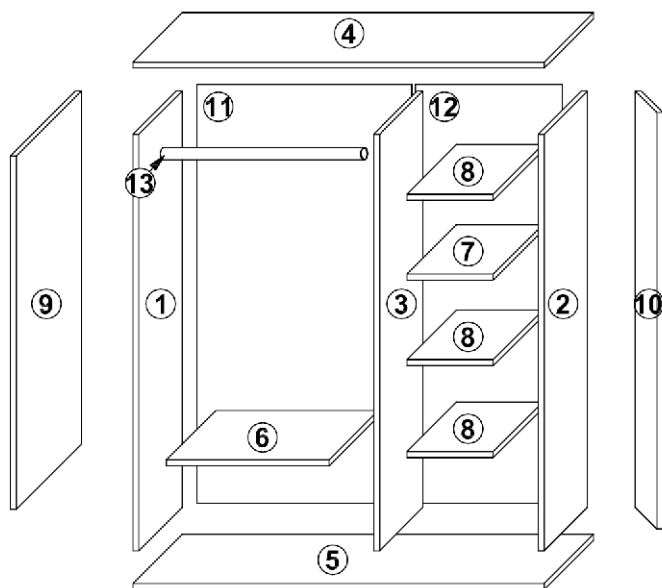


MATEL

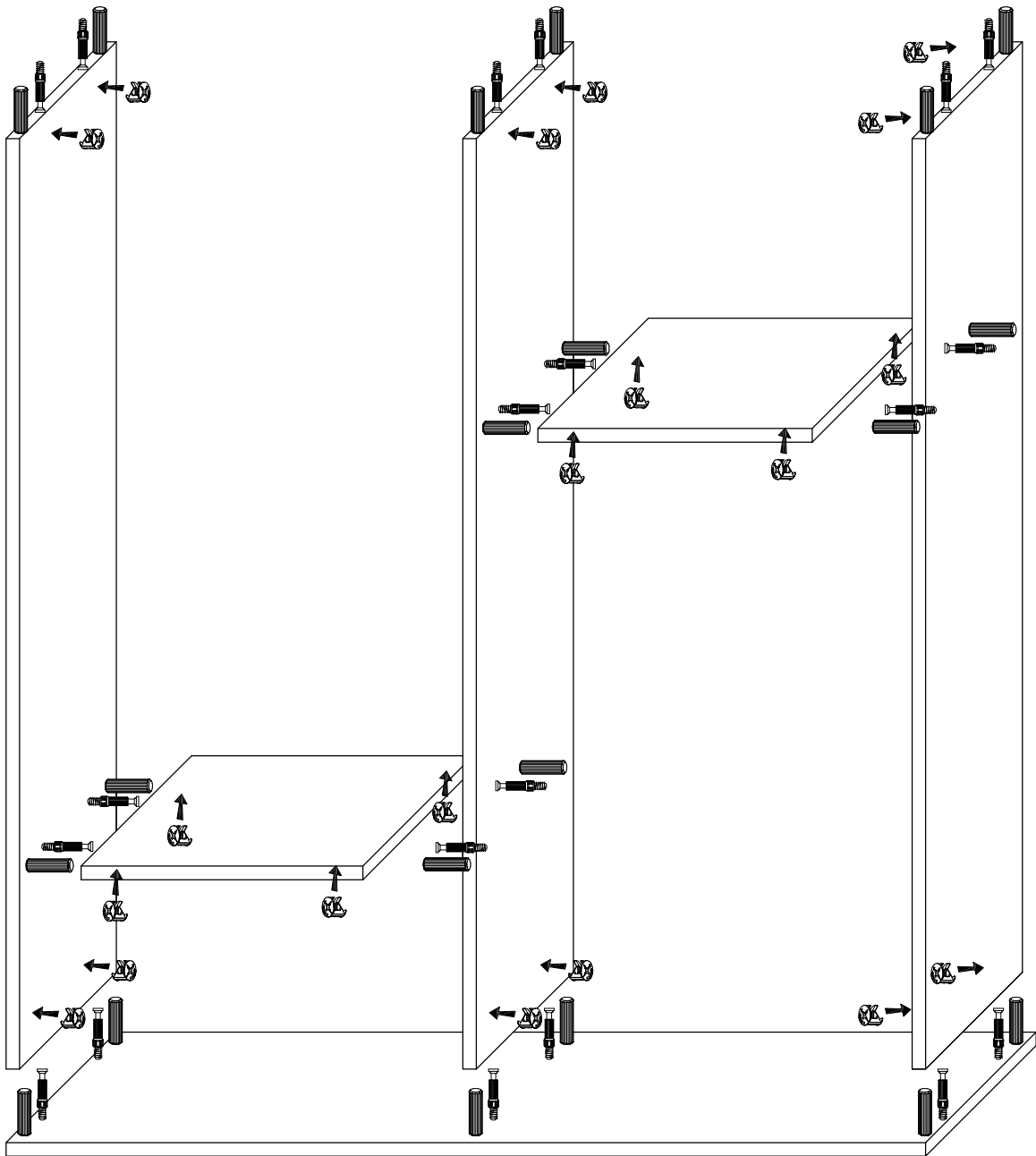


1	1950 x 580	1 / 2
2	1950 x 580	1 / 2
3	1950 x 560	1 / 2
4	900 x 581	2 / 2
5	900 x 581	2 / 2
6	526 x 545	2 / 2
7	326 x 545	2 / 2
8	540 x 326	2 / 2
9	1647 x 530	1 / 2
10	1943 x 330	1 / 2
11	1960 x 535	1 / 2
12	1960 x 334	1 / 2
13	L-518	2 / 2



T1	M1	Z1	K30	ZW	PZW	W4x16
20	20	20	20	6	6	16
UD	SN	U1	W4x27	PP	STB	
2	5	2	4	12	14	

1



2

